



FLO Ultra™

Lifting Jig Installation
and Operation Guide



Table of Contents

1. Important Safety Instructions	3
2. Introduction	4
2.1. About the Lifting Guide	4
3. MOVING AND STORING INSTRUCTIONS	4
3.1. Safety Training	4
3.2. Forklift Operations	4
3.3. Unloading the Crate from the Truck	5
4. Lifting	7
4.1. Center of Gravity	7
4.2. Forklift Lifting	8
4.2.1. Installing the Lifting Jig on the FLO Ultra	8
4.2.2. Lifting the FLO Ultra with a Forklift	11
5. Copyright and Liability	13

1. Important Safety Instructions

IMPORTANT SAFETY INSTRUCTIONS. SAVE THESE INSTRUCTIONS.

Read all the instructions before using this product.

Please keep up to date instructions throughout the product life cycle.

This document provides instructions to install the FLO Ultra lifting jig and should not be used for any other product.

1. Under no circumstances will compliance with the information in this manual relieve the installer of their responsibility to comply with all applicable codes or safety standards.
2. Reasonable efforts have been made to ensure that the specifications and other information contained in this guide are accurate and complete at the time of publication. However, specifications and other information contained in this manual are subject to change at any time without notice.
3. FLO cannot be held responsible for any damage that may occur resulting from custom installations not described in this document.
4. If for any reason it is not possible to install the FLO Ultra lifting jig according to the procedures provided in this guide, the installer should contact the FLO team.
5. Connect the power supply of the charging station with conductors rated for usage at a temperature of at least 167 °F (75 °C).
6. Any modification done to the lifting jig is forbidden without express written permission from FLO.
7. Handle parts with care since they can be sharp-edged. Always use safety glasses, safety shoes and protection gloves when unpacking and installing the FLO Ultra lifting jig.

2. Introduction

2.1. About the Lifting Guide

The *FLO Ultra™ Lifting Guide* is a concise guide to lifting the FLO Ultra extracted from the *FLO Ultra™ Installation Guide*. This guide covers all of the information necessary for installing the lifting jig and safely lifting the FLO Ultra charging station.

Please refer to the *FLO Ultra™ Installation Guide* for complete safety instructions related to the installation of the FLO Ultra charging station, and for the complete installation instructions.

NOTE: All references to other sections are in the *FLO Ultra™ Installation Guide*.

3. MOVING AND STORING INSTRUCTIONS

Follow the moving and storing instructions detailed in this section.

3.1. Safety Training

1. Only trained and certified workers may operate a forklift.
2. Ensure operators are trained on the types of trucks used for moving the charger.

FLO recommends following the guidelines below to move the crate safely with a forklift:

3.2. Forklift Operations

1. Follow local safety guidelines and regulations.
2. Follow your employers' safety guidelines and regulations.
3. Always operate the vehicle according to the manufacturer's instructions.
4. Always wear a seat belt when the forklift has one.
5. Never exceed the rated load and ensure it is stable and balanced.

6. Do not raise or lower the load while traveling.
7. Keep a safe distance from the platform and ramp edges.
8. Be aware of other vehicles in the work area.
9. Have clear visibility of the work area and ensure you have enough clearance when raising, loading, and operating a forklift.
10. Use proper footing and the handhold, if available, when entering the lift.
11. Use horns in obstructed areas.
12. Watch for pedestrians.
13. Do not give rides or use the forks to lift people.

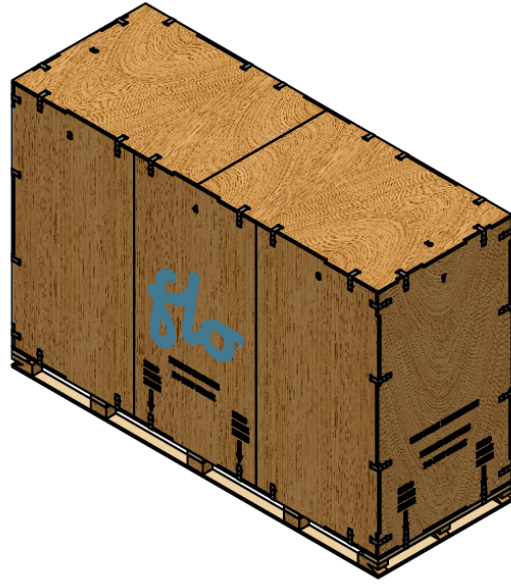
3.3. Unloading the Crate from the Truck

Follow the steps below to correctly and safely unload the FLO Ultra transportation crate from the truck:

Before unloading the crate from the truck, please note the following considerations:

- Packaged product weight and dimensions:
 - Weight: 2 700 lb (1 225 kg)
 - Dimensions: 132 x 48 x 90 inches (335 x 122 x 229 cm)
- Lifting modes:
 - The FLO Ultra must be picked up by the forklift from one of the two long sides.

NOTE: Forklift extensions are required to handle the crate from the long side.

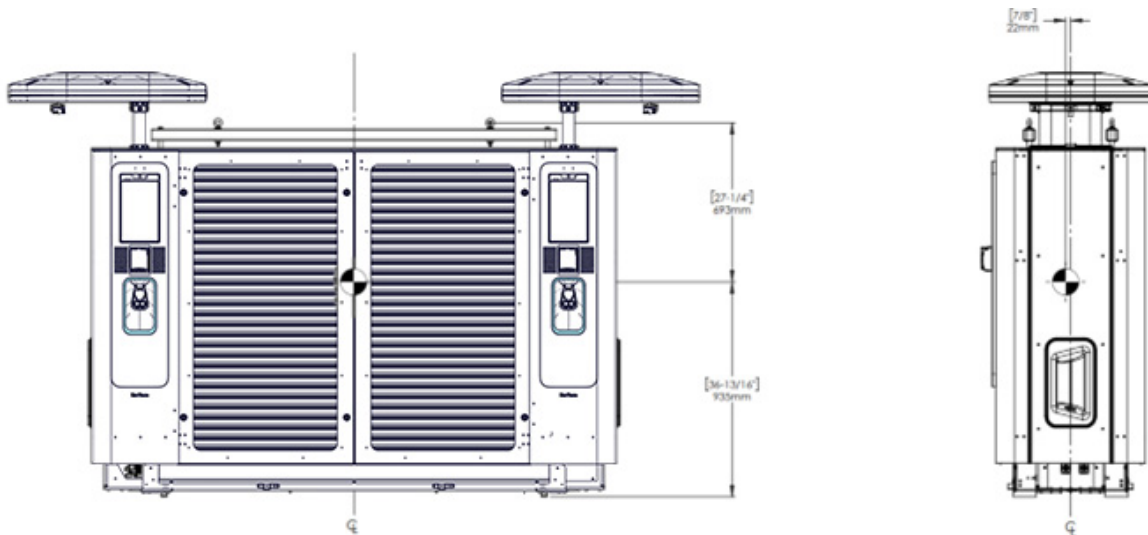


4. Lifting

FLO offers an optional lifting jig for forklift to assist with the handling.

4.1. Center of Gravity

The images below show the FLO Ultra's center of gravity.



4.2. Forklift Lifting

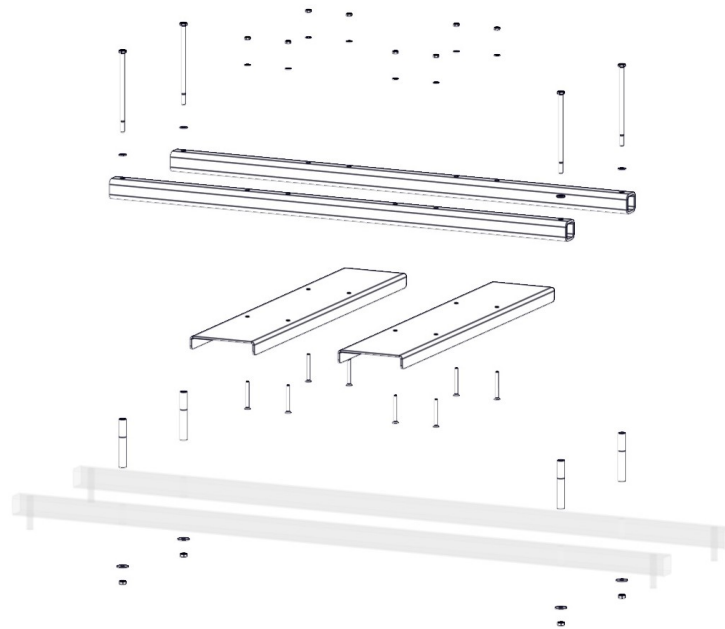
NOTE: The *Forklift Lifting* section is only applicable when you are moving the FLO Ultra with a forklift once the unit has been unpackaged. Refer to *"Unloading the Crate from the Truck"* on page 5 for more information.

NOTE: The lifting jig (ASME0586) is optional and sold separately from the FLO Ultra charging station. Please refer to the *FLO Ultra™ Ordering Guide* available at flo.com.

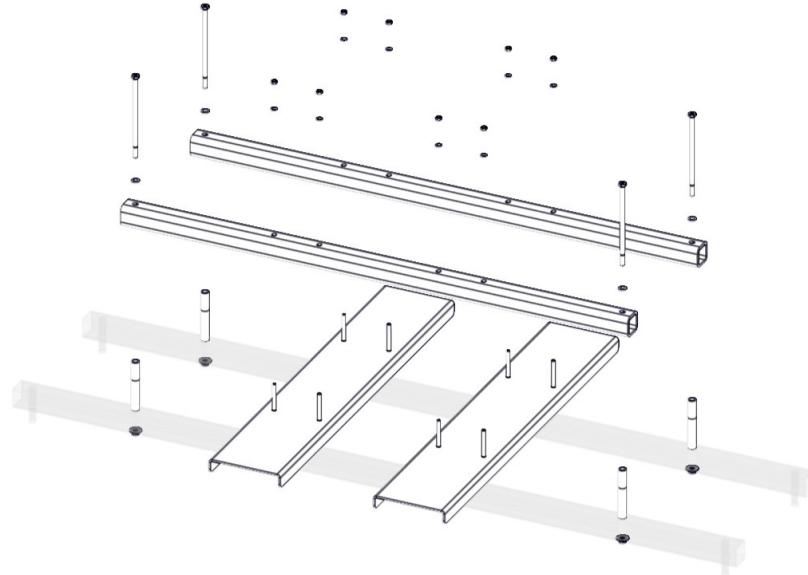
Follow the instructions below to correctly lift a FLO Ultra with a forklift:

4.2.1. Installing the Lifting Jig on the FLO Ultra

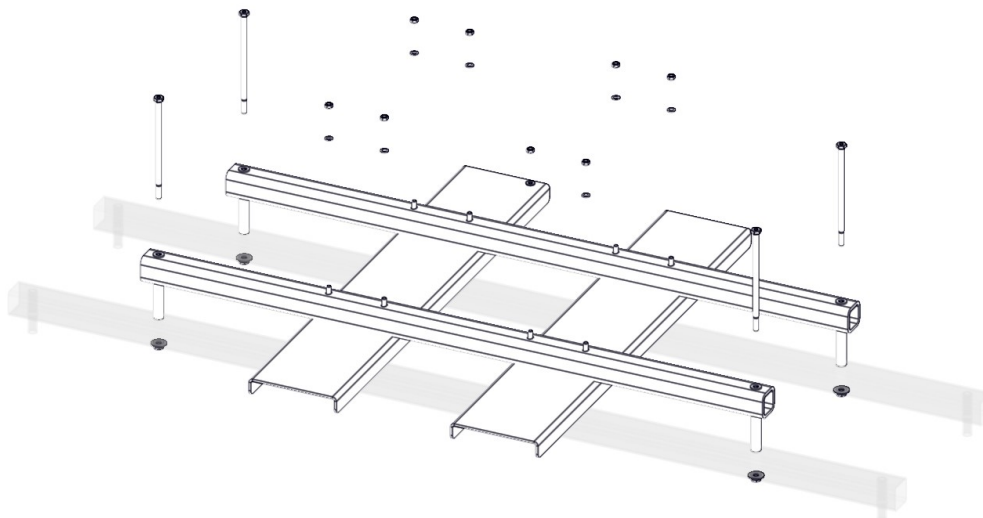
Follow the steps below to install a lifting jig on the FLO Ultra:



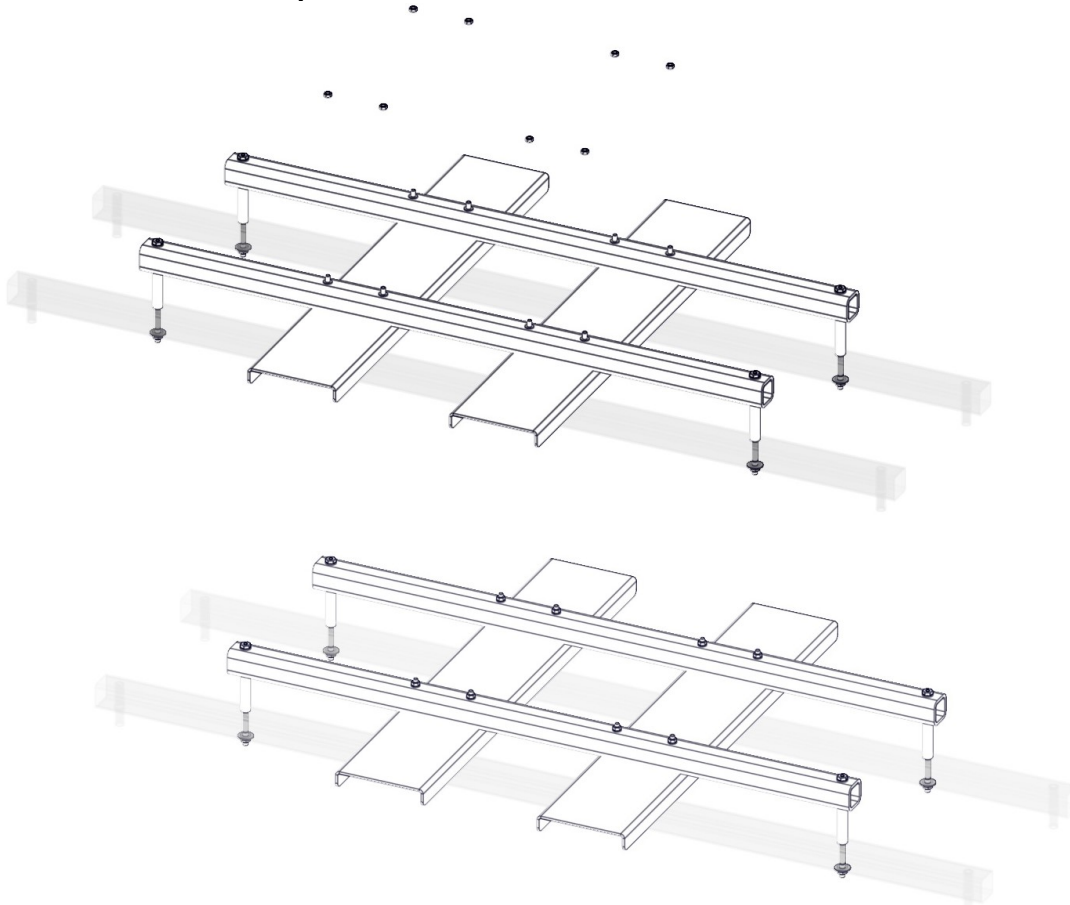
1. Place the forklift lifting jig horizontal bars on top of the FLO Ultra, aligning the extrusions at the bottom with the indentations on top of the FLO Ultra.



2. Place the angle lift lifting jigs on top of the forklift lifting bars in a perpendicular arrangement, aligning the screw holes of the angle lifting jigs and the lifting bars.

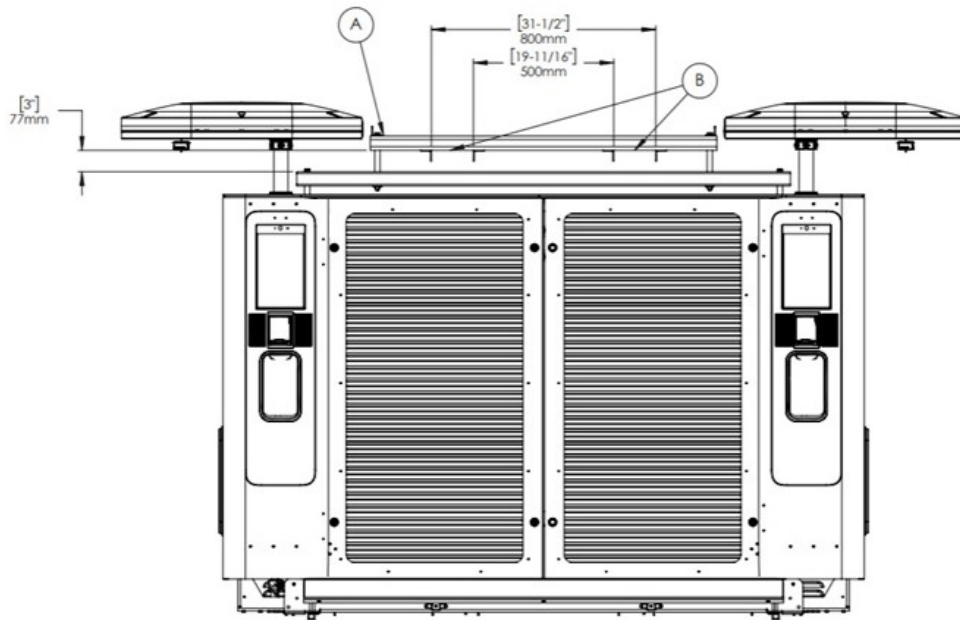


3. Place the washer on top of the angle lift lifting jig screw hole and screw in the head screw. On the bottom of the angle lift lifting jig, add an oversized washer and a bolt to the head screw to secure the parts together. **The torque must be 70 N m (51.6 lb-pi).**



4.2.2. Lifting the FLO Ultra with a Forklift

Follow the steps below to correctly and securely lift the FLO Ultra with a forklift:



Part	Description
A	Forklift lifting jig
B	Fork position for lifting

1. Ensure that the operator is qualified and certified to operate the forklift.
2. Ensure that the lifting jig is properly installed and that all screws are correctly tightened and secured before lifting, according to the previous section *Installing the Lifting Jig on the FLO Ultra*.
3. Confirm the lifting capacity of the forklift to make sure it can safely lift the weight of the FLO Ultra. Only use a forklift that can safely lift the FLO Ultra. The lifting capacity of the forklift must be over 700 kg (1 540 lbs) to lift the charging station and the lifting jig. Refer to [Specifications](#) for more information.
4. Raise the forks to the height indicated by position B.
5. Secure the charging station to the forklift using a strap or chain. Use the long, unpainted lifting bars to anchor the lifting jig to the charging station.

6. Ensure the good positioning of the forks between the forklift lifting jig and the FLO Ultra (identified by each of the arrows of B). Do a visual check to ensure the right positioning of the forks and that the path of the forklift is clear.
7. Lift the FLO Ultra and transport it to the correct location. Avoid abrupt turns, stops and starts during transportation.
8. Gently place the FLO Ultra at the correct location.
9. Re-use the lifting jig for other FLO Ultra installations or recycle it; however, lifting equipment may only be used to lift a FLO Ultra charging station. This equipment must not be used for any other type of lifting.

5. Copyright and Liability

Document Name: FLO_FLO Ultra_Lifting Guide_V.1.0.0_2024-10-31_CA_US_EN_CA_EN

Document ID: PRFM0166

FLO CA: © 2024 Services FLO Inc., All rights reserved. FLO, the FLO logo, LEAD THE WAY, and TRACEZ LA VOIE are trademarks of Services FLO Inc. ADDÉNERGIE is a trademark of AddÉnergie Technologies Inc. used under license by Services FLO Inc.

FLO US: © 2024 FLO Services USA Inc., All rights reserved. FLO, the FLO logo, LEAD THE WAY, and TRACEZ LA VOIE are trademarks of Services FLO Inc. used under license by FLO Services USA Inc. ADDÉNERGIE is a trademark of AddÉnergie Technologies Inc. used under license by FLO Services USA Inc.

This document is provided as a general instruction guide. All pictures shown are for illustration purposes only. Actual stations may vary in size or due to product enhancements, in which case additional steps may be required. AddÉnergie Technologies Inc. and its subsidiaries (“AddÉnergie”) reserve the right to alter this document and any product offerings and specifications at any time without notice and AddÉnergie does not guarantee that that this version of the document is current. It is your responsibility to comply with all applicable laws, including those related to accessibility, zoning, and to exercise due diligence when conducting an installation or using this product. Careless installation or use may result in injury or product damage. To fullest extent permitted by applicable laws, AddÉnergie disclaims any liability for personal injury or property damage resulting from the installation or use of this product.



Learn more

info@flo.com

1 (855) 543-8356

flo.com

Eastern office: 2800, Louis-Lumière Street, office 100, Québec (QC) G1P 0A4 CANADA

Regional office - Western Canada: #501 - 4190 Lougheed Highway Burnaby (British Columbia), Canada, V5C 6A8

United-States Office: 1270 Pacific Dr, Auburn Hills, MI, United States - 48326