



Smart DC™

Setting the standard for reliability.

You can trust a SmartDC™ station to work when you need it most. Even in the cold weather and the harshest outdoor environments, its superior components and craftsmanship ensure dependable performance.

Proven reliability

- Choose a 50 kW or 100 kW station to fit a variety of EV charging needs. Charge up fast when on a long trip or top off your battery while making a quick stop.

Versatile and easy to use

- Enhanced charging station owner experience with complete remote management capabilities including software and firmware updates and remote intervention services¹.

Backed by the FLO network

- We offer complete after-sale care (and real peace of mind) with our experienced, friendly North America-based service team, proactive station monitoring, and 24/7 remote diagnostic services.

Smart DC™ use cases



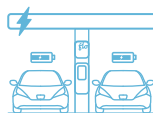
For Rest Areas

For public administrators responsible for highways that wish to encourage electromobility between cities.



For Commercial

For parking lot owners interested in offering their customers a first-class experience by providing EV DC fast-charging services.



For Gas Stations

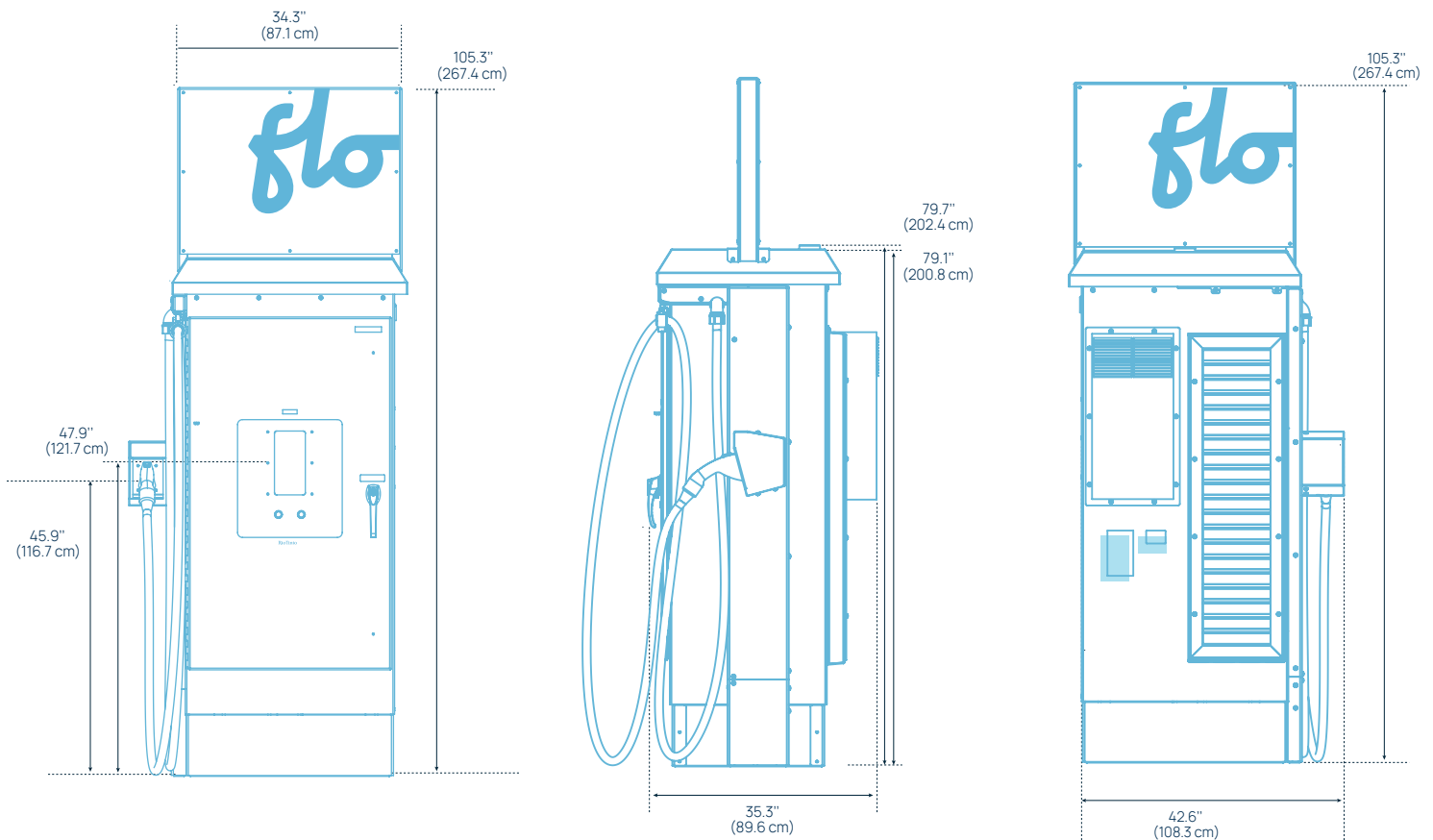
For gas station owners who wish to offer a complementary service that will help retain customers migrating to EVs.

¹ Requires FLO Global Management Service

*SmartDC shown with optional credit card reader.

Dimensions and customization

DIMENSIONS

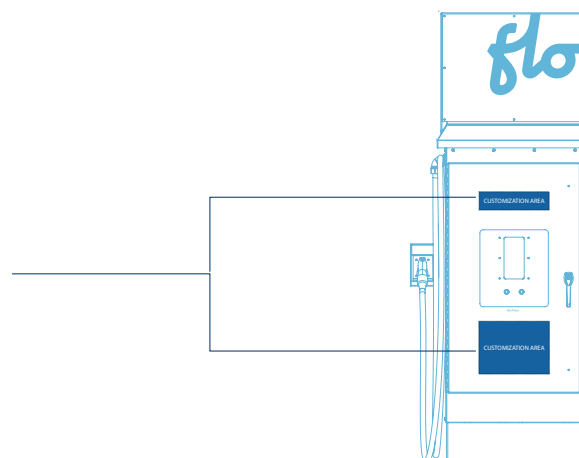


CUSTOMIZATION

Every charging station includes a customizable branding area. This area allows the display partner logos or other publicity.

Customizable partner panel area

Contact FLO® for artwork templates and material specifications.



Technical specifications

HARDWARE

	SmartDC™ 50 kW	SmartDC™ 100 kW
Enclosure	Aluminum Type 3R	Aluminum Type 3R
Charging Connectors	SAE Combo (CCS1)	SAE Combo (CCS1)
Standard Cable Length	6.1 m / 20 ft	3.7m / 12 ft
Cable Management System	Calibrated suspended weight	N/A
Operating Temperature	-40° C to 50° C / -40° F to 122° F	-40° C to 50° C / -40° F to 122° F
Maximum Operating Altitude	2000 m	2000 m
Storage Temperature	-40° C to 70° C / -40° F to 158° F	-40° C to 70° C / -40° F to 158° F
Humidity	Up to 95% (non-condensing)	Up to 95% (non-condensing)
Weight	278 kg / 613 lbs	300 kg / 675 lbs
Dimensions (H x W x D)	2024 mm x 1083 mm x 896 mm 6.6 ft x 3.5 ft x 2.9 ft Height with top sign installed (2674 mm / 8.7ft)	2024 mm x 1083 mm x 896 mm 6.6 ft x 3.5 ft x 2.9 ft Height with top sign installed (2674 mm / 8.7ft)

ELECTRICAL

Input Rating	480 Y / 277 V	480 Y / 277 V
AC Input Connection	3-phase: L1, L2, L3, Neutral terminal	3-phase: L1, L2, L3, Neutral terminal
Max Output Power	50 kW	100 kW
Max Output Current	0.5 to 200 ADC	0.5 to 200 ADC
Max Charging Voltage	50 to 500 VDC	50 to 500 VDC
Integrated Protection	IM/I, GM/I	IM/I, GM/I
Frequency	60 Hz	60 Hz

INTERFACE

Display	OLED character display 76.3 mm x 25 mm / 3.0 in x 0.98 in
Credit Card Reader	Optional credit card reader: tap (NFC), insert, swipe
RFID User Authentication	ISO 14443 A/B, ISO 15693, HID

CONNECTIVITY

Communication Interface	Optional WAN connection
Cellular Communication	4G (LTE), HSPA+
Communication Protocol	OCPP 1.6J
Energy Metering	Incoming AC monitoring, DC energy meter (KIWEE)

CERTIFICATIONS AND COMPLIANCE

Certifications	UL 2202, UL 2231-1, UL 2231-2, CSA C22.2 No. 107.1, CSA C22.2 No. 281.1, CSA C22.2 No. 281.2, FCC part 15 Class A ICES-3 (A)
EMC Compliance	FCC 47 CFR Part 15, CAN ICES-003(B) / NMB-003(B)
ENERGY STAR	Yes
Accessibility	Yes

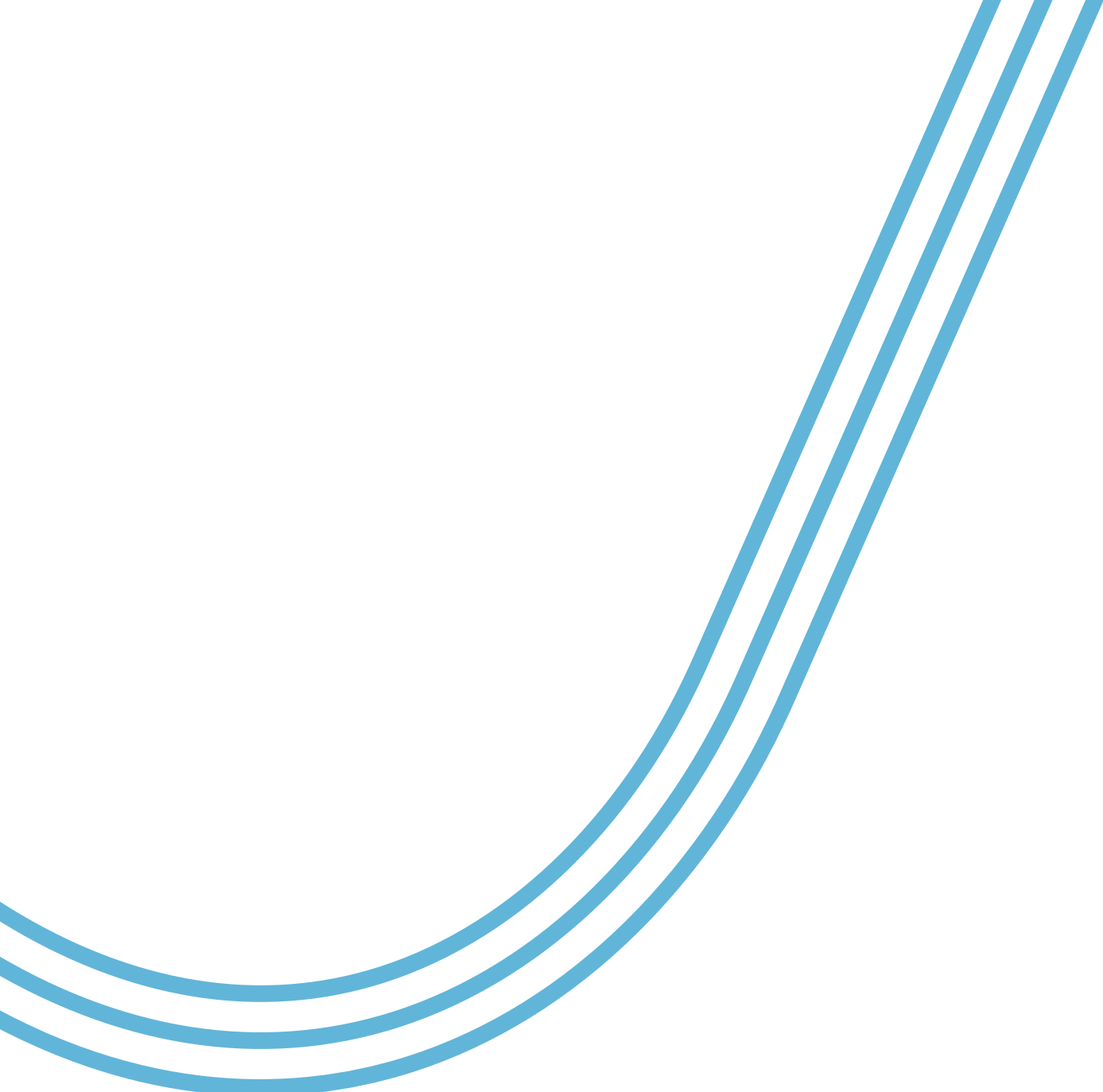


Learn more
info@flo.com
1 (855) 543-8356
flo.com



Made in North America

Designed and manufactured
by AddÉnergie Technologies Inc. d/b/a FLO.
flo-smartdc-specsheet-en-d-2025-01-27



Learn more
info@flo.com
1 (855) 543-8356
flo.com



Made in North America

Designed and manufactured
by AddÉnergie Technologies Inc. d/b/a FLO.
[flo-smartdc-specsheet-en-d-2025-01-27](#)